

Water Drop Stand Kit

Kit Contains:

- 2 - Base with rubber feet (20" / 51cm)
- 1 - Left support arm with two brackets (24" / 61cm)
- 1 - Right support arm with one bracket (24" / 61cm)
- 1 - Siphon mount with six holes (16" / 40.6cm)
- 1 - Cross support (16" / 40.6cm)
- 1 - Component bag
 - Black acrylic mini-beam sensor mount
 - 5/32" Allen wrench (for stand assembly)
 - 3 - #8x1/2" screw for water valve brackets (not included)
 - 9/64" Allen wrench (for above screws)

1. Find the left support arm. There are two support arms included. The left arm is the piece that has two brackets attached to it. Locate the bottom of the the left support arm. It has a black retaining clip. On the side close to the bottom there are two screws. Loosen these screws three full turns and then push the screws in. Pushing the screws in will unlock them.
2. Slide the top piece away from the bottom until it reaches to the top of the orange tape. Tighten the two screws loosened in step 1 to lock the two pieces together.
3. Position the left support arm so that the two pieces are side by side with one right angle bracket facing right and the other facing up. It works best to have the bottom off the edge of a desk. Loosen the black retaining clip on the bottom so that the clip spins freely.
Slide on a base so that the rubber feet are opposite of the arm. The black clip "wings" will be above the groove while the screw and base of the clip will be inside the groove. The base should be slid so that it is vertical. Slide the base through until the screw from the leg is visible through the machined hole in the center of the base. Tighten the retaining clip screw through the machined hole.
4. Position the right support arm so its only right-angle bracket is facing up. Repeat the above step for attaching the base.
5. On left support arm, loosen the horizontal screw on the bracket that is facing up. Loosen enough to allow the nut to move but do not remove the nut. Do NOT loosen the screw attaching the bracket to the arm.
Slide the cross-support on to the black nut and hand-tighten the screw. The cross-support should be pointing to the right.
6. On the right support arm, loosen the horizontal screw on the bracket. Loosen enough to allow the nut to move freely but do not remove the nut. Do NOT loosen the screw attaching the bracket to the arm.
Slide the right arm bracket toward the cross-support so the nut on the right arm bracket slides into the cross-support. Hand-tighten the bracket nut.
7. Raise the stand. Loosen the two screws on the siphon mount. Slide the siphon mount into the top of the stand and hand-tighten the two screws.
8. Locate the mini-beam sensor mount. Peel off the protective cover from the top and bottom. Remove the vertical screw from the left arm bracket. Do NOT loosen the screw attaching the bracket to the arm.
Place the mini-beam sensor mount on top of the bracket, insert the removed screw, place the nut on the bottom, and tighten the screw.
9. Square up the stand and fully tighten all screws.
10. Attach water valve mounting brackets using the #8x1/2" screws to the cross-support as shown in the picture. The order is: Screw head, washer, valve bracket, cross-support, and finally the nut. To move the valves, you will have to loosen the screw, push the screw in to release the lock, move, and then tighten.

Note: The stand dimensions are set for the default settings in StopShot Studio. Feel free to adjust the positions as necessary to suit your creative needs.

Cognisys, Inc.
459 Hughes Dr.
Traverse City, MI 49696
USA

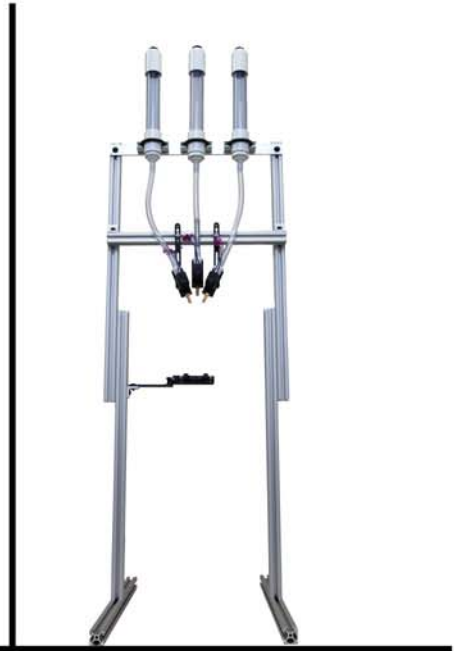
Phone: 248-365-0052
Toll-Free: 888-746-3731
support@cognisys-inc.com
www.cognisys-inc.com

1

Loosen the two silver screws on the side 3 turns and push them in.



Left Arm: Two Brackets in this orientation.



2

Slide Apart to orange mark.
Do NOT separate the two pieces.



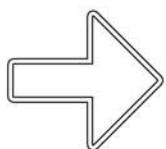
Tighten

Orange Mark

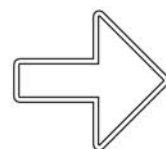


3

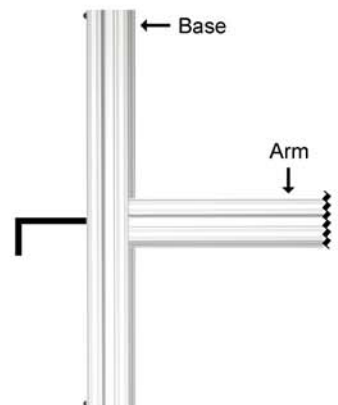
Loosen Bottom clip so it spins freely



Slide base into loose retaining clip



Tighten arm to base using hole in center of base



4

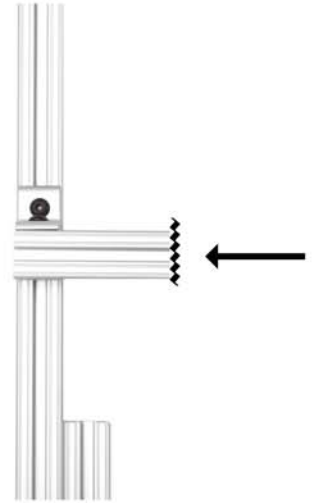
Position the right arm like this and repeat steps 1-3



5

On the left arm, loosen the horizontal screw with the T-nut and slide the nut into the cross support. Tighten screw.

Do NOT loosen the screw holding the bracket to the arm.

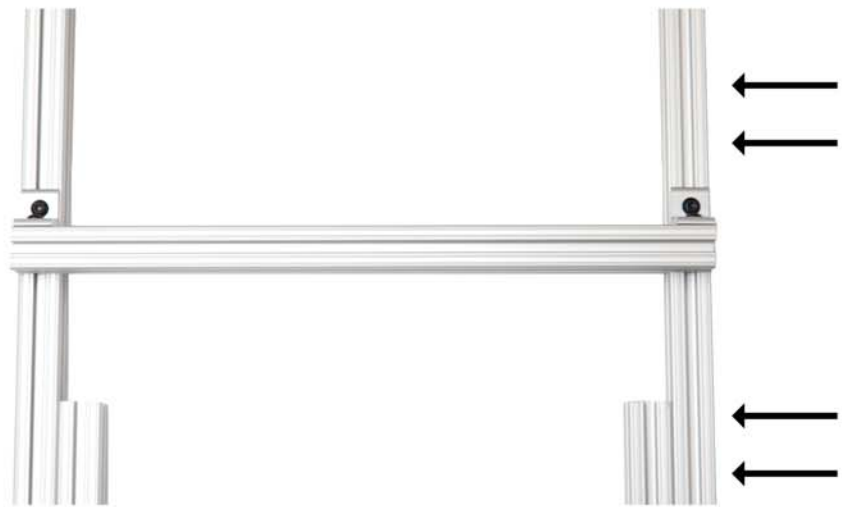


6

On the right arm, loosen the same screw as in step 5.

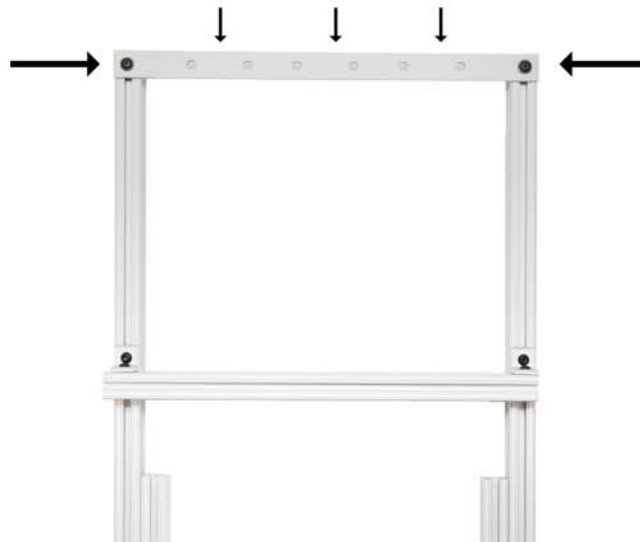
Slide the right arm into the right side of the cross support.

Tighten the cross support screw on the right arm bracket.



7

Loosen screws on siphon mount, slide nuts into arms, and tighten.



8

Remove beam sensor screw from bracket on left arm, place sensor bracket as shown, and tighten screw.

Do NOT remove the bracket.



9

Square up the stand and fully tighten all screws.

10

Attach valve mounting brackets (not included) as shown to the cross support.

Order: Screw, washer, valve bracket, nut.

It is easiest to pre-assemble - just keep the nut quite loose.

The brackets slide in from the side of the cross support.

To move the brackets: loosen, push in, move, and tighten.

